

## RMC300 GSM Remote Monitor and Controller



**EMM - Tek Ltd**

### Setting the RMC300 for alarm applications with additional LED & PIR input

Information suitable for use with RMC300L/LC/R/RC variants

**If in doubt please use an electrician or alarm installer to configure your system. Damage to the system through incorrect connection is not covered by the warranty.**

Comdef1 and Comdef2 allows the user to rename a standard command with a more useful label but it also enables two standard commands to be accessed through one user defined label.

For setting an alarm where an extra indicator LED is fitted to Digital output 1.  
Use the Comdef SMS text commands as below.

**Comdef1\*al on\*arm out1 on\***  
**Comdef2\*al off\*disarm out1 off\***

Sending **al on** by SMS text will both ARM the unit and turn on an LED attached to digital output 1 to show the part is armed.

Sending **al off** by SMS text will both disarm the unit and turn off the LED indicator driven by digital output 1.

#### Installation

Using standard 4 or 6 core alarm cable:

Connect RMC300 Ground to PIR Ground (3rd terminal on P1 or 4th terminal on P18 from top in the diagram below)

Connect PIR switch common to RMC300 3.3V output (4th terminal on P1 from top in the diagram below)

Connect PIR Normally Closed to RMC300 digital input 1 (8th terminal on P1 from top in the diagram below)

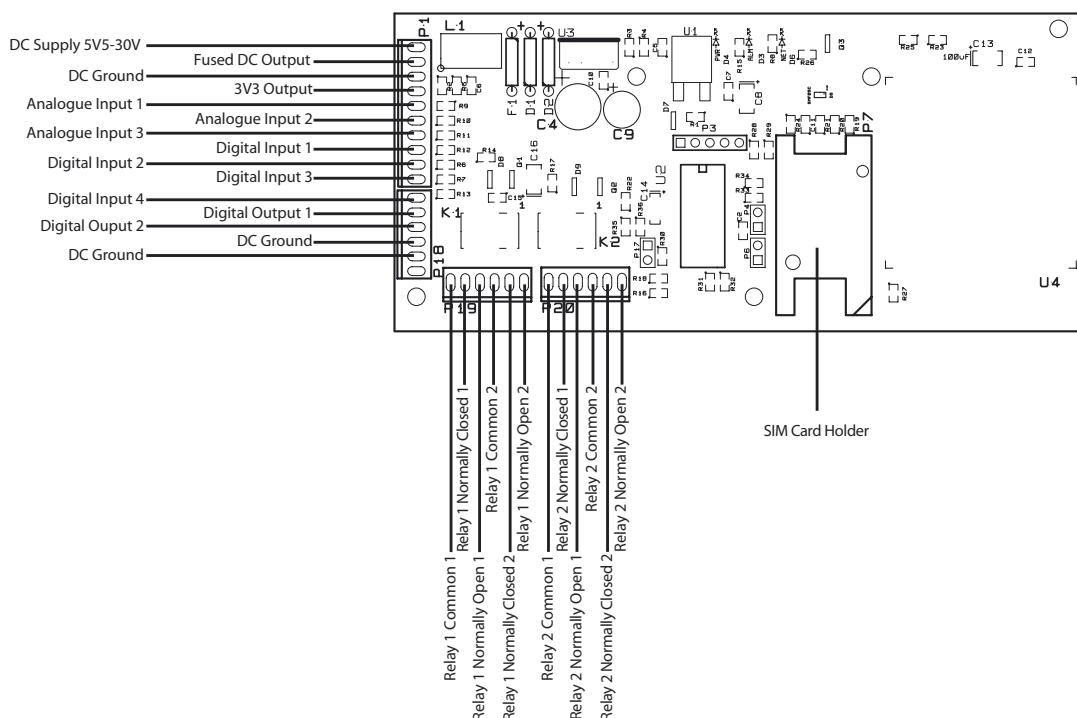
#### RMC300 setup to enable the reading of the PIR

Send an SMS text message to the RMC300 using the bold text below

**D1 LOW** (this triggers the alarm when PIR contact opens)

D1 label\*PIR1\*

For the most up to date information visit [www.emmtek.co.uk](http://www.emmtek.co.uk).



[www.emmtek.co.uk](http://www.emmtek.co.uk) - Tel: 0845 121 4736

Continuous product development means specifications can change. Please ask for the latest data.